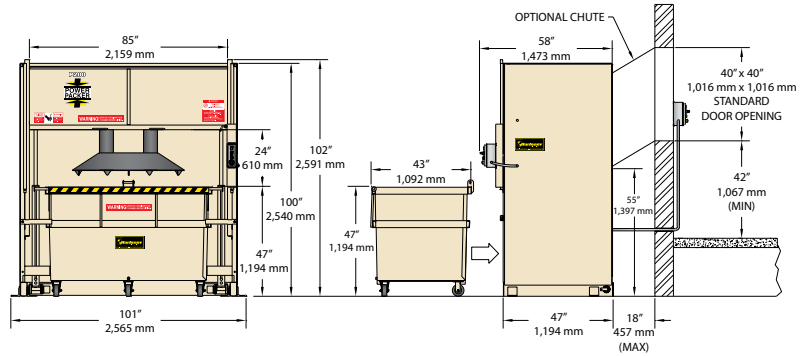


P200 Power Packer



Container Support System



Standard P200 Features:

- All controls are UL® listed
- When the compaction plate begins its downward pressure against the waste material the Container Support System pushes upward to relieve stress on the floor and the casters of the container
- The Power Packers two-yard container is available in either a front loading or rear loading version
- Heavy-duty motor and hydraulics for extra long life
- Optional Air Sanitizer eliminates odor problems
- Meets or exceeds all ANSI and OSHA safety standards

SPECIFICATIONS

Container Capacity	2 cubic yards
Ram Pressure	21,200 lbs. maximum (9,616 kg)
Cycle Time	42 seconds
Twin Cylinders	3" bore (76 mm) 1.5" rod (38 mm) 37.5" stroke (953 mm)
Motor	2 horsepower, TEFC
Pump	Two-stage
Electrical Power	115/230 volt, 1 phase, 60 hz

DIMENSIONS

Loading Door Opening	85" x 24" (2,159 mm x 610 mm)
Container Height	47" (1,194 mm)
Overall Height	102" (2,591 mm)
Overall Width	101" (2,565 mm)
Overall Depth	58" (1,473 mm)
Load Opening	85" x 24" (2,159 mm x 610 mm)
Ram Face	48" x 27" (1,219 mm x 686 mm)
Oil Reservoir	6 gallons
Shipping Weight	
- Compactor	3,250 lbs. (1,474 kg)
- Container	734 lbs. (333 kg)

Specifications subject to change without notice.



SAI GLOBAL
ISO 9001
Quality

2615 S. Orange Ave
Santa Ana, CA 92701